


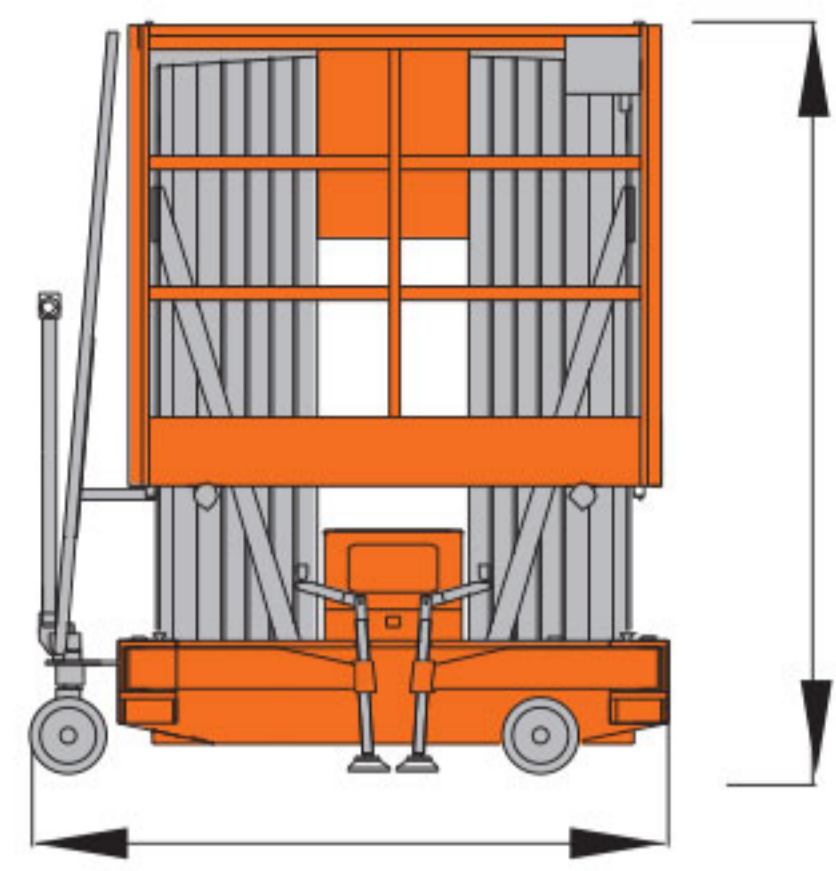
AWP-DM Series



AWP6-300DM/AWP8-300DM/AWP10-250DM/AWP12-200DM

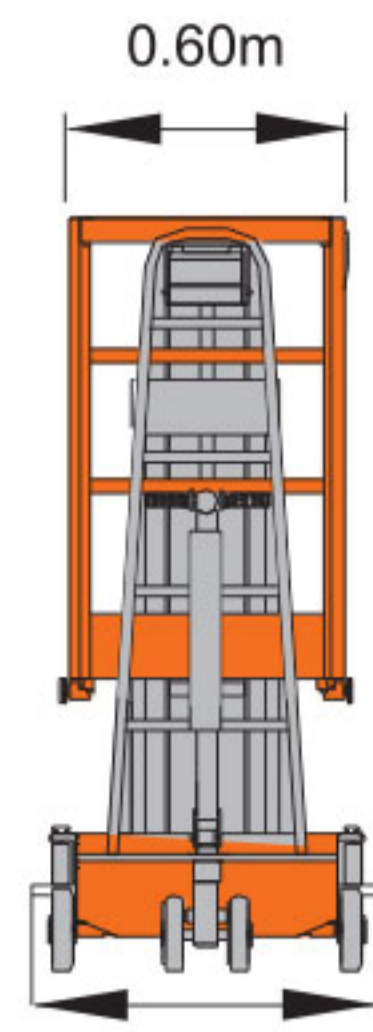
	S.W.L AWP6-300DM/AWP8-300DM AWP10-250DM AWP12-200DM AWP14-150DM	300kg 250kg 200kg 150kg
	Working height AWP6-300DM AWP8-300DM AWP10-250DM AWP12-200DM AWP14-150DM Platform floor height AWP6-300DM AWP8-300DM AWP10-250DM AWP12-200DM AWP14-150DM	8.00m 10.00m 12.00m 14.00m 16.00m 6.00m 8.00m 10.00m 12.00m 14.00m
	Overall length AWP6-300DM/AWP8-300DM AWP10-250DM AWP12-200DM AWP14-150DM Overall width AWP6-300DM/AWP8-300DM/AWP10-250DM AWP12-200DM AWP14-150DM Overall height AWP6-300DM/AWP8-300DM/AWP10-250DM AWP12-200DM AWP14-150DM Outrigger Footprint(LW) Platform size AWP6-300DM/AWP8-300DM AWP10-250DM/AWP12-200DM AWP14-150DM Ground Clearance AWP6-300DM/AWP8-300DM/AWP10-250DM/AWP12-200DM AWP14-150DM Wheelbase AWP6-300DM/AWP8-300DM AWP10-250DM/AWP12-200DM AWP14-150DM	1.56m 1.79m 1.84m 1.81m 0.84m 0.89m 0.81m 1.86m 2.08m 2.36m 2.45m/2.34m 1.21 x 0.6m 1.45 x 0.6m 1.44 x 0.6m 0.08m 0.07m 1.17m 1.42m 1.41m

	Lifting motor AC DC	110-230VAC/1.5kw 12VDC/2.5kw
	Up/Down speed AWP6-300DM AWP8-300DM AWP10-250DM AWP12-200DM AWP14-150DM	58/40sec 62/43sec 70/46sec 75/54sec 101/59sec
	Batteries AWP6-300DM/AWP8-300DM/AWP10-250DM/AWP12-200DM AWP14-150DM Integrated charger	2x12V/150Ah 2x12V/110Ah 12V/15A
	Tyres AWP6-300DM/AWP8-300DM/AWP10-250DM/AWP12-200DM (Drive motors) AWP6-300DM/AWP8-300DM/AWP10-250DM/AWP12-200DM (Front wheels) AWP14-150DM (Back Wheels) AWP14-150DM (Front wheels)	Φ 200 x 50mm Φ 180 x 50mm 8in 7in
	Weight AWP6-300DM AWP8-300DM AWP10-250DM AWP12-200DM AWP14-150DM	570(AC)/610(DC)kg 630(AC)/670(DC)kg 730(AC)/770(DC)kg 825(AC)/865(DC)kg 905(AC)/925(DC)kg



AWP6-300DM	1.56m
AWP8-300DM	1.56m
AWP10-250DM	1.79m
AWP12-200DM	1.84m

AWP6-300DM	1.86m
AWP8-300DM	1.86m
AWP10-250DM	1.86m
AWP12-200DM	2.08m



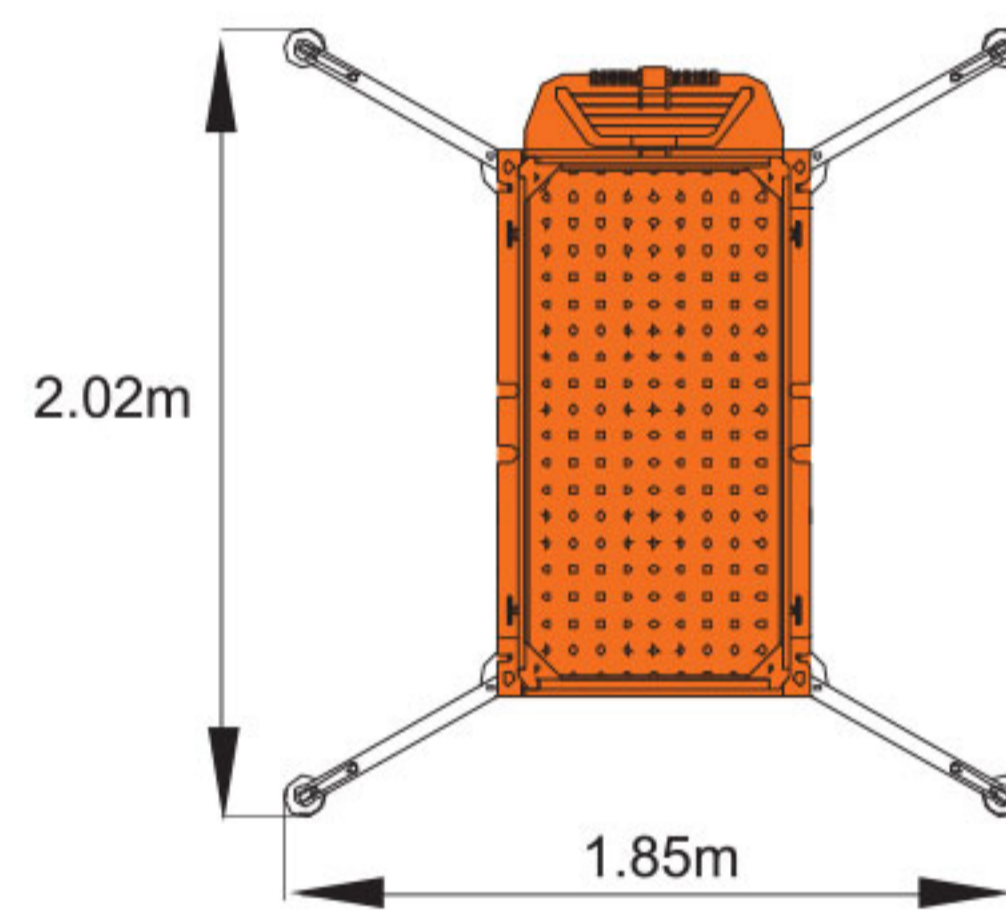
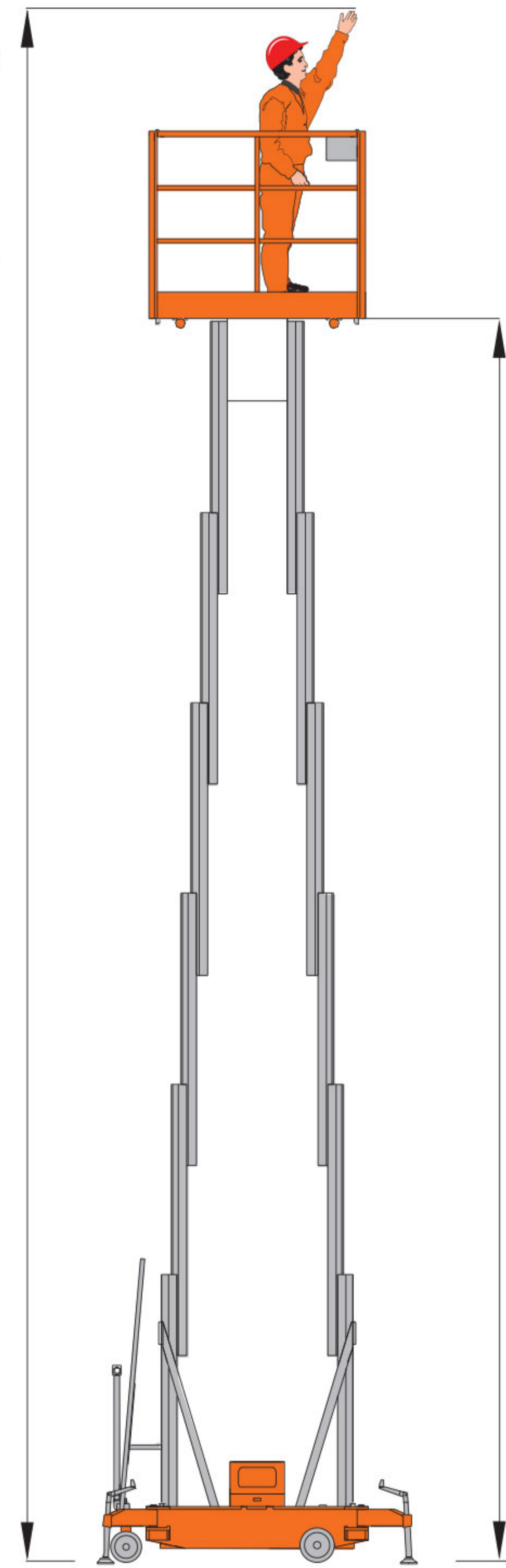
AWP6-300DM	0.84m
AWP8-300DM	0.84m
AWP10-250DM	0.84m
AWP12-200DM	0.89m

Standard equipment

- Leveling outrigger device
- Emergency stop button
- Battery charge indicator
- Electric limit switch
- Two controllers operation
- Emergency down button
- Leveling indicator
- Over loading limited

AWP6-300DM	8m
AWP8-300DM	10m
AWP10-250DM	12m
AWP12-200DM	14m

AWP6-300DM	6m
AWP8-300DM	8m
AWP10-250DM	10m
AWP12-200DM	12m





Boom Lifts

Scissor Lifts

Aluminium Work Platforms

Aerial Order Pickers