



ST

Ladder Trolleys

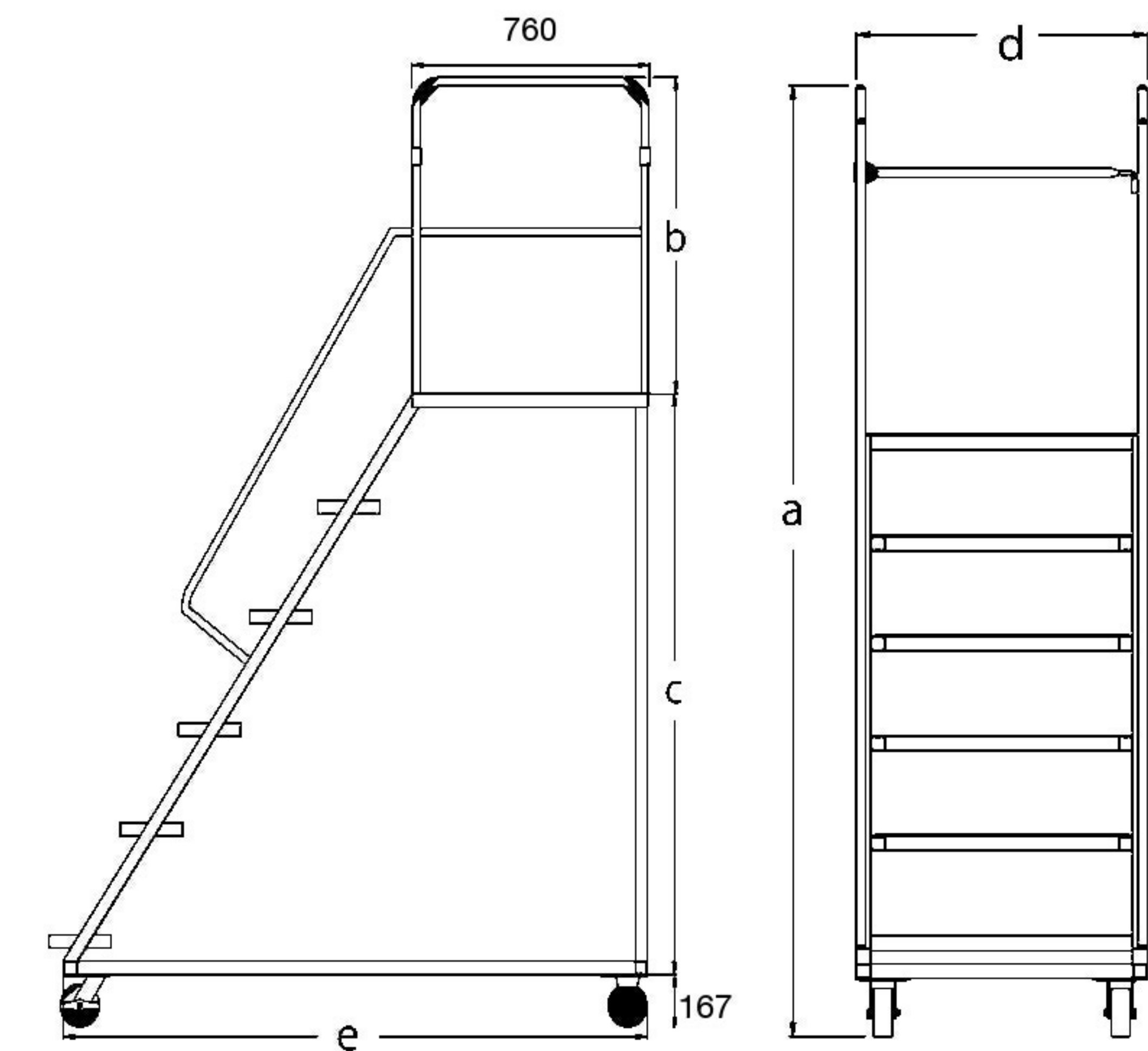
บันไดเข็น

Stable, yet easily manoeuvrable

Access Equipment



Model		ST3	ST5	ST6	ST7	ST8	ST9	ST10	
Finishing		Epoxy Powder Coating							
Ladder Step	mm	3	5	6	7	8	9	10	
Dimension	a	mm	1845	2486	2759	3062	3351	3872	3962
	b	mm	915	915	915	915	915	915	915
	c	mm	763	1404	1677	1980	2269	2790	2880
	d	mm	610	610	760	760	760	760	760
	e	mm	1100	1217	1350	1400	1580	1580	1580
Wheel		5" PU Cast Iron							
Loading	kg	TOP 150 / UDL							
Capacity	kg	350							



- 5th generation, sturdy & proven design, easy to manoeuvre yet stable at height.
- A wide range of ladder trolleys available from 5 to 10 steps with top loading of 150kg.
- Designed for warehouses, factories, retail areas with goods storage racks.
- Non slip expanded metal steps provide firm grip.
- Safety Cage at top deck and bottom goods platform.

Specifications are subject to change at our discretion.