

Specifications

Models	Z-45/25 RT		Z-45/25J RT	
Measurements	Metric	US	Metric	US
Working height maximum*	15.97 m	51 ft 10 in	16.05 m	52 ft 1 in
Platform height maximum	13.97 m	45 ft 10 in	14.05 m	46 ft 1 in
Horizontal reach maximum	7.49 m	24 ft 7 in	7.52 m	24 ft 8 in
Up and over clearance maximum	7.14 m	23 ft 5 in	7.14 m	23 ft 5 in
A Platform length	0.76 m	2 ft 6 in	0.76 m	2 ft 6 in
B Platform width	1.83 m	6 ft	1.83 m	6 ft
C Height - stowed	2.13 m	7 ft	2.13 m	7 ft
D Length - stowed	5.38 m	17 ft 8 in	6.65 m	21 ft 10 in
E Width	2.29 m	7 ft 6 in	2.29 m	7 ft 6 in
F Wheelbase	2.03 m	6 ft 8 in	2.03 m	6 ft 8 in
G Ground clearance - center	0.37 m	1 ft 2.5 in	0.37 m	1 ft 2.5 in

Productivity

Lift capacity	227 kg	500 lbs	227 kg	500 lbs
Platform rotation	180°	180°	160°	160°
Vertical Jib rotation	—	—	135°	135°
Turntable rotation	355° non-continuous		355° non-continuous	
Turntable tailswing	zero	zero	zero	zero
Drive speed - stowed	7.24 km/h	4.5 mph	7.24 km/h	4.5 mph
Drive speed - raised **	1.00 km/h	0.61 mph	1.00 km/h	0.61 mph
Gradeability - 4WD - stowed***	45%	45%	45%	45%
Turning radius - inside	1.68 m	5 ft 6 in	1.68 m	5 ft 6 in
Turning radius - outside	4.50 m	14 ft 9 in	4.50 m	14 ft 9 in
Controls	12 V DC proportional		12 V DC proportional	
Tyres	355/55 D20		355/55 D20	

Power

Power source	Deutz diesel D2011L03i 3 cylinder diesel 35.8 kW (48 hp) Perkins diesel 404-D22 4 cylinder diesel 38 kW (51 hp)			
Auxiliary power unit	12 V DC		12 V DC	
Hydraulic tank capacity	83 L	22 gal	83 L	22 gal
Fuel tank capacity	64.4 L	17 gal	64.4 L	17 gal

Sound & Vibration Levels

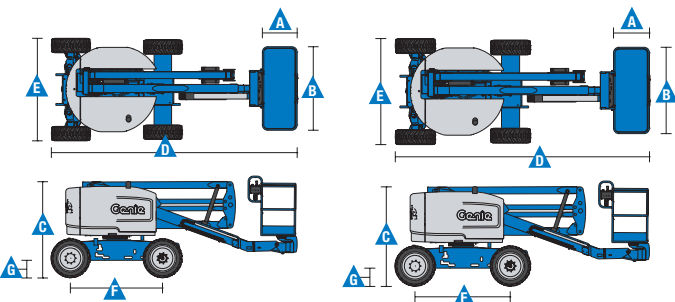
Sound pressure level (ground workstation)	87 dBA	87 dBA	87 dBA	87 dBA
Sound pressure level (platform workstation)	82 dBA	82 dBA	82 dBA	82 dBA
Vibration	<2.5 m/s ²	<8 ft 2 in/s ²	<2.5 m/s ²	<8 ft 2 in/s ²

Weight****

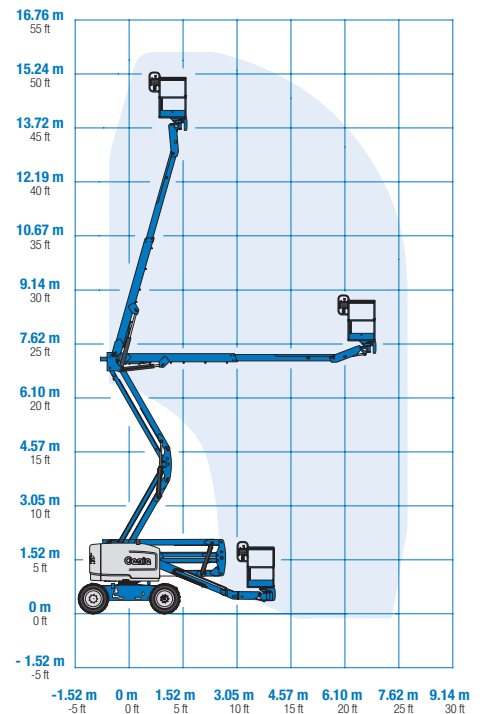
CE 4WD (air tyres)	6,078 kg	13,400 lbs	6,123 kg	13,500 lbs
CE 4WD (foam filled tyres)	6,415 kg	14,144 lbs	6,460 kg	14,244 lbs

Standards Compliance

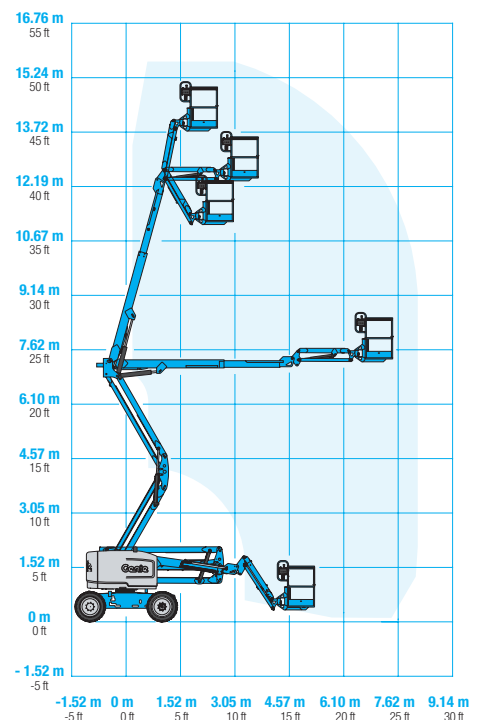
EU Directives: 2006/42/EC - Machinery Directive
Harmonized Standards: EN280:2001+A2:2009; 2004/108/EC (EMC); 2000/14/EC (Outdoor Noise)



Range Of Motion Z-45/25 RT



Range Of Motion Z-45/25J RT



* The metric equivalent of working height adds 2 m to platform height. U.S. adds 6 ft to platform height.
** In lift mode (platform raised), the machine is designed to operate on firm, level surfaces only.
*** Gradeability applies to driving on slopes. See operator's manual for details regarding slope ratings.
**** Weight will vary depending on options and/or country standards.

Features

Standard Features	Easily Configured To Meet Your Needs	Options & Accessories
<p>Measurements</p> <p>Z-45/25 RT</p> <ul style="list-style-type: none"> • 15.97 m (51 ft 10 in) working height • 7.49 m (24 ft 7 in) horizontal reach • 7.14 m (23 ft 5 in) up and over clearance • Up to 227 kg (500 lbs) lift capacity <p>Z-45/25J RT</p> <ul style="list-style-type: none"> • 16.05 m (52 ft 1 in) working height • 7.52 m (24 ft 8 in) horizontal reach • 7.14 m (23 ft 5 in) up and over clearance • Up to 227 kg (500 lbs) lift capacity <p>Productivity</p> <ul style="list-style-type: none"> • Self-levelling platform • Hydraulic platform rotation • Proportional joystick controls • Thumb rocker steering • Drive enable • AC power cord to platform • Horn • Hour meter • Tilt alarm • Descent & travel alarms • Flashing beacon • 355° non-continuous turntable rotation • Positive traction drive • Two speed wheel motors • Certified load sensor <p>Power</p> <ul style="list-style-type: none"> • 12 V DC auxiliary power • Engine protection package • Deutz intake air heater • Swing out engine tray 	<p>Platform Options</p> <ul style="list-style-type: none"> • Steel 1.83 m (6 ft) (standard) • Steel 1.17 m (3 ft 10 in) (option) • Steel 1.83 m (6 ft) tri-entry (option) <p>Jib Options</p> <ul style="list-style-type: none"> • Non-jib • Articulating 1.52 m (5 ft) jib boom <p>Power Options</p> <ul style="list-style-type: none"> • Deutz diesel 35.8 kW (48 hp) • Perkins diesel 38 kW (51 hp) <p>Drive Options</p> <ul style="list-style-type: none"> • 4 x 4 <p>Axle Options</p> <ul style="list-style-type: none"> • Active oscillation <p>Tyre Options</p> <ul style="list-style-type: none"> • Rough terrain air-filled (standard) • Rough terrain foam-filled • Rough terrain non-marking (air or foam-filled) 	<p>Productivity</p> <ul style="list-style-type: none"> • Platform top auxiliary rail • Air line to platform • Power to platform (incl. plug, socket and ground fault interrupt leakage on request) • Work lights package (2 on chassis, 2 on platform) • Dual axis joystick steering • Biodegradable hydraulic oil • Hostile environment kit ⁽¹⁾: cylinder bellows, boom wiper seals and platform control box covers • Aircraft protection kit ^(1,4): platform foam padding and padded disable system (available on Jib models only) • Tilt cut-out option • Track & Trace ⁽²⁾ (GPS unit providing machine location & operating information) • Panel cradle package ⁽¹⁾ (requires foam filled tyres & tri-entry platform) • Lockable platform control box cover • Tool tray • Operator Protective Structure • Operator Protective Alarm <p>Power</p> <ul style="list-style-type: none"> • Diesel catalytic scrubber muffler with spark arrestor • Engine gauge package (oil pressure & temperature) • AC generator packages (110V/60Hz - 220V/50Hz, 3000W) • Deutz V-belt Generator kit ⁽³⁾ (110V-220V) • Low temperature cut-out module • Engine heater option ⁽³⁾ • Refinery kit with spark arrestor and electric or mechanical Chalmers valve ⁽³⁾



⁽¹⁾ Factory-fit option only
⁽²⁾ Includes a first 2 years subscription
⁽³⁾ Available with Deutz engine only
⁽⁴⁾ Reduces platform load capacity to 440 lbs

United Kingdom

The Maltings, Wharf Road, Grantham NG31 6BH, T: +44 800 988 3739 (toll free), Fax +44 (0)1476 584334, Email AWP-InfoEurope@terex.com
 Visit www.genielift.co.uk/locations to view our global locations list.

Worldwide Manufacturing And Distribution

Australia · Brazil · Caribbean · Central America · China · France · Germany · Italy · Japan · Korea · Mexico · Russia · Southeast Asia · Spain · Sweden · United Arab Emirates · United Kingdom · United States

Effective Date: February, 2014. Product specifications and prices are subject to change without notice or obligation. The photographs and/or drawings in this document are for illustrative purposes only. Refer to the appropriate Operator's Manual for instructions on the proper use of this equipment. Failure to follow the appropriate Operator's Manual when using our equipment or to otherwise act irresponsibly may result in serious injury or death. The only warranty applicable to our equipment is the standard written warranty applicable to the particular product and sale and we make no other warranty, express or implied. Products and services listed may be trademarks, service marks or trade names of Terex Corporation and/or their subsidiaries in the USA and many other countries. Genie is a registered trademark of Terex South Dakota, Inc. © 2014 Terex Corporation.

