

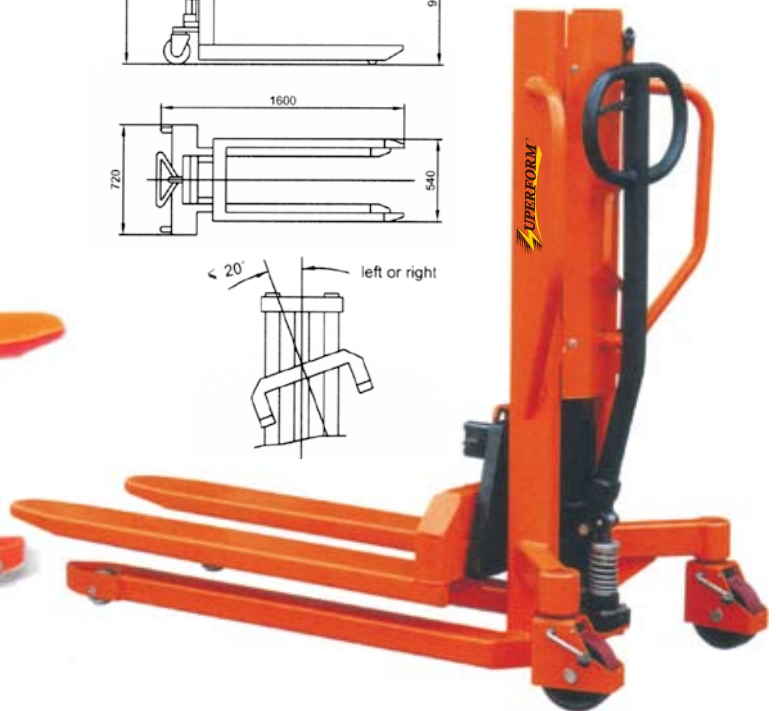
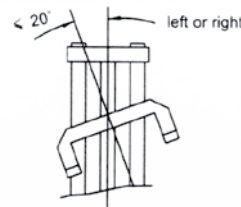
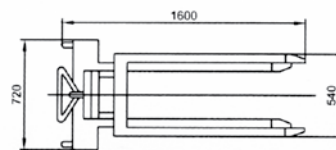
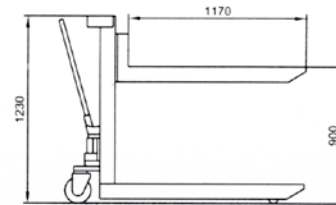
LPT Lateral Pallet Tilter

รถยกพาเลท แบบเอียงข้าง

Maximise operator efficiency and ergonomics

- Designed to give the user an ergonomically correct position to reach loads easily without the necessity of bending down or stretching up.
- Forks can be tilted up to 20° both left and right sides.
- Smooth rolling polyurethane wheels with precision sealed ball bearings.
- Supplied as standard with parking brake and foot protectors.
- Conforms to EN 1757-1.

Model รุ่น		LPT 80
Capacity น้ำหนักบรรทุก	kg	800
Overall Forks Width ความกว้างงาทั้งหมด	mm	540
Fork Length ความยาวงา	mm	1150
Fork Width ความกว้างงา	mm	150
Min. Fork Height ความสูงขั้นต่ำงา	mm	88
Max. Fork Height ความสูงสูงสุดงา	mm	920
Tiltable Angle องศาการเอียง	°	left or right 20°
Net Weight น้ำหนักสุทธิ	kg	210



Specifications are subject to change at our discretion.

Did you Know ?

Our organisation not only stocks, sells and services material handling equipment but is also deeply involved in the design and manufacturing processes, giving us and yourself valuable insights and experience on the best equipment for your needs.